

1

2

3

4

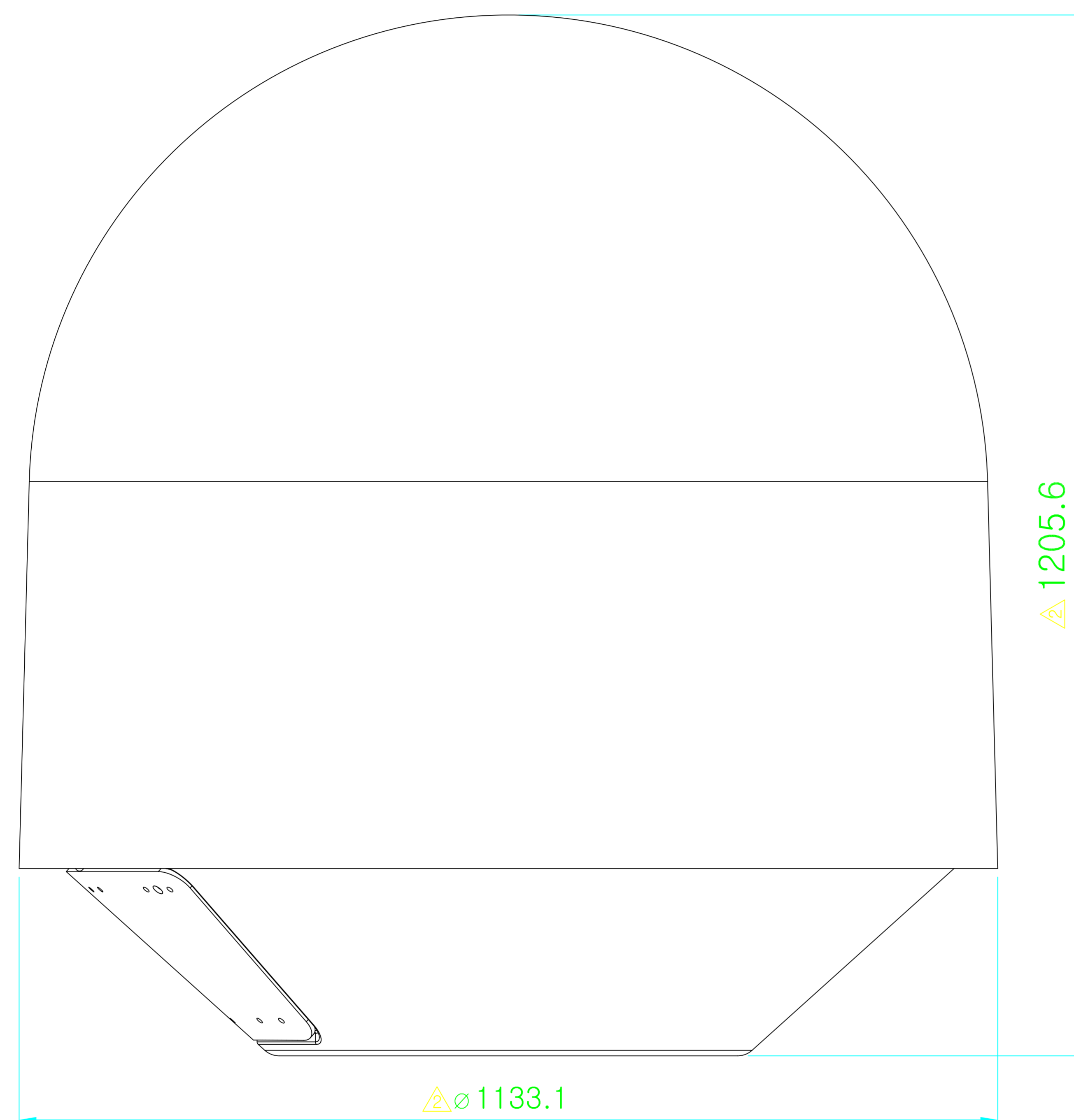
5

6

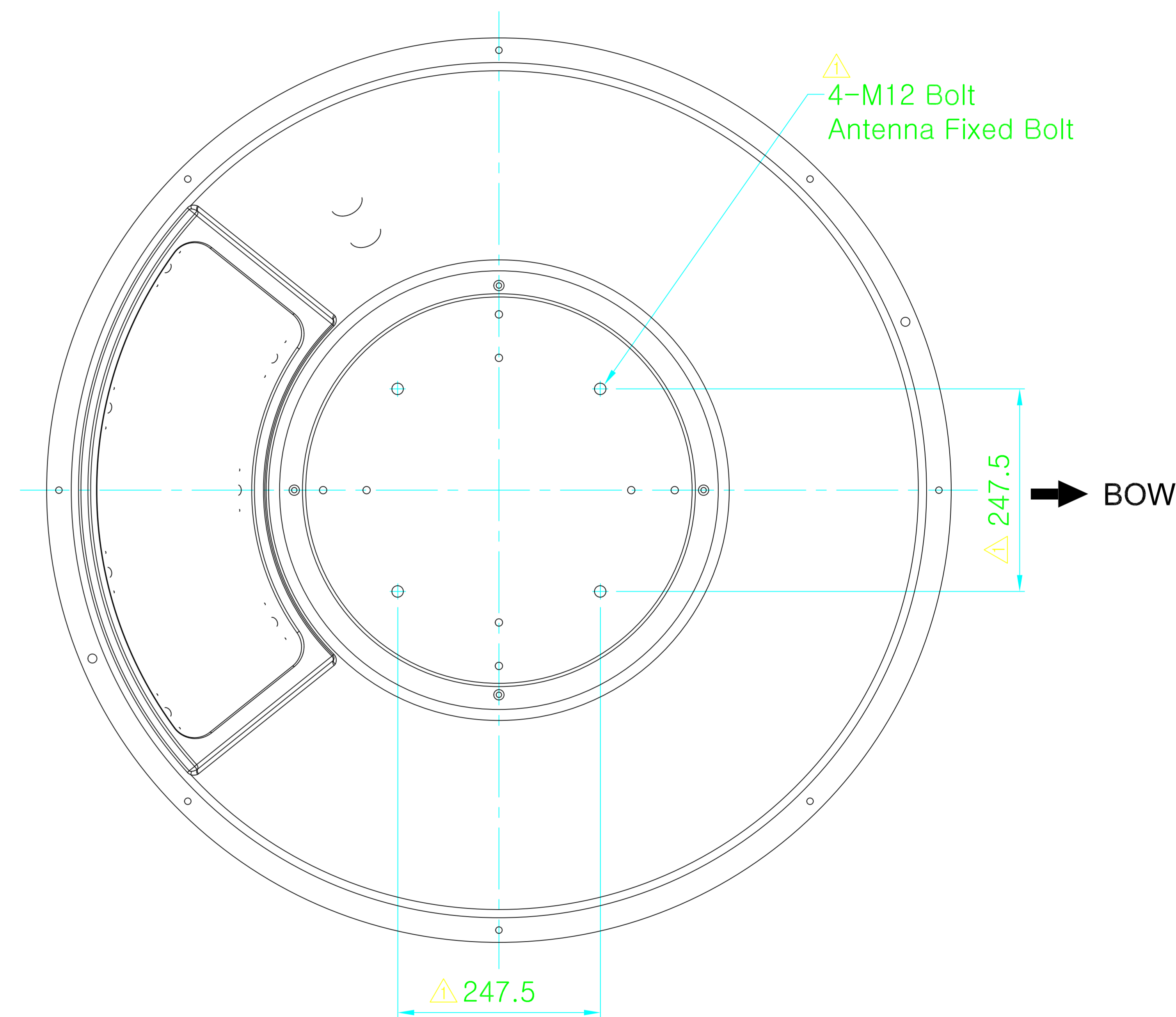
N/d

REVISIONS

MARK	DESCRIPTION	DATE
⚠	Changed Mast & Antenna mounting hole pattern size	2011. 12 .15
⚠	Changed Radome size	2012. 05 .31



'A'



View 'A'

Intellian Technologies
Communicate Smarter

APPROVAL	Title Outline Drawing_i9/v80G/t80_new			Version B
CHECK	P/N -	SIZE -	SCALE 1/1	UNIT mm
DRAWING J.S.Kim	DATE 2012.5.31	Sheet 1 of 1	DWG NO ITR02-120531-01	