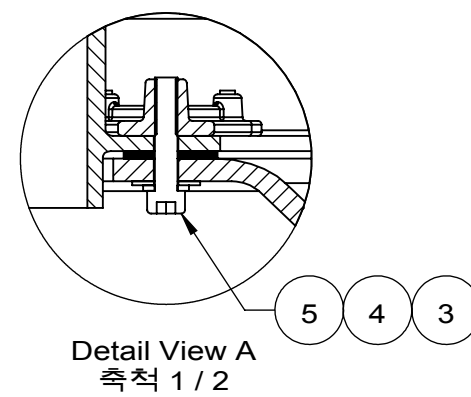
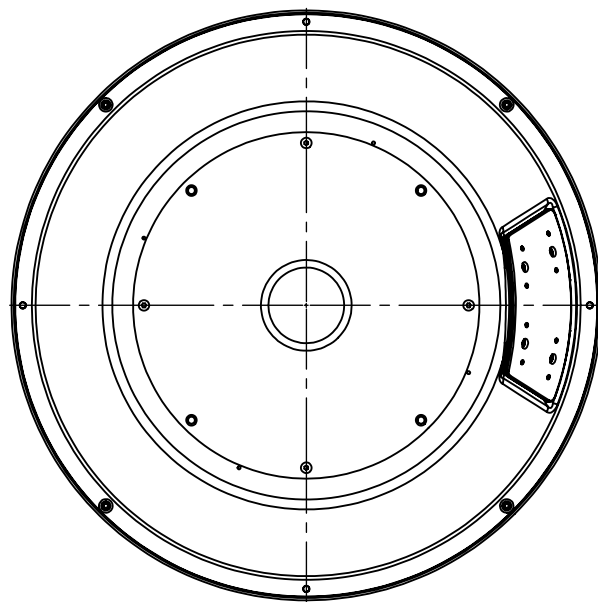
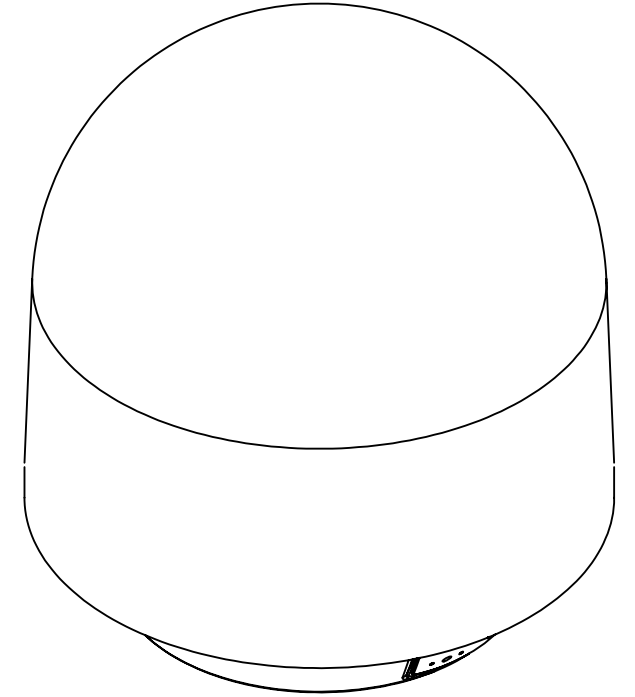
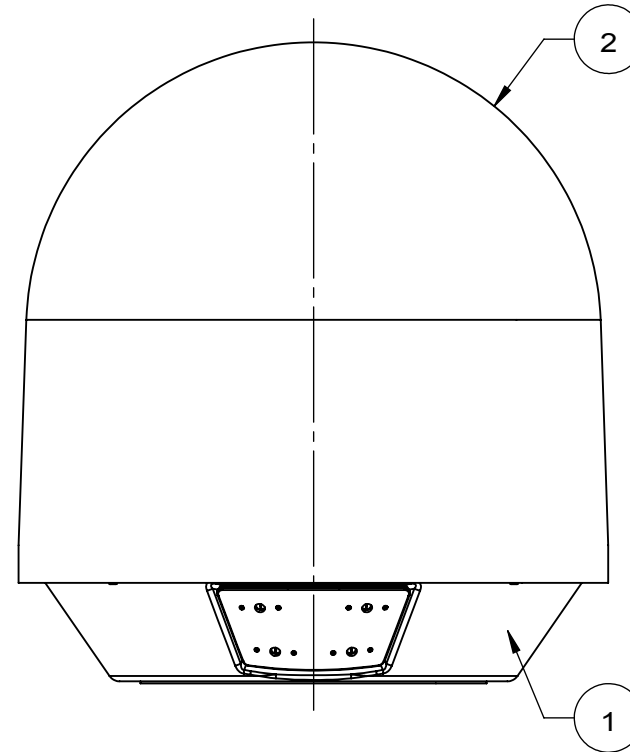
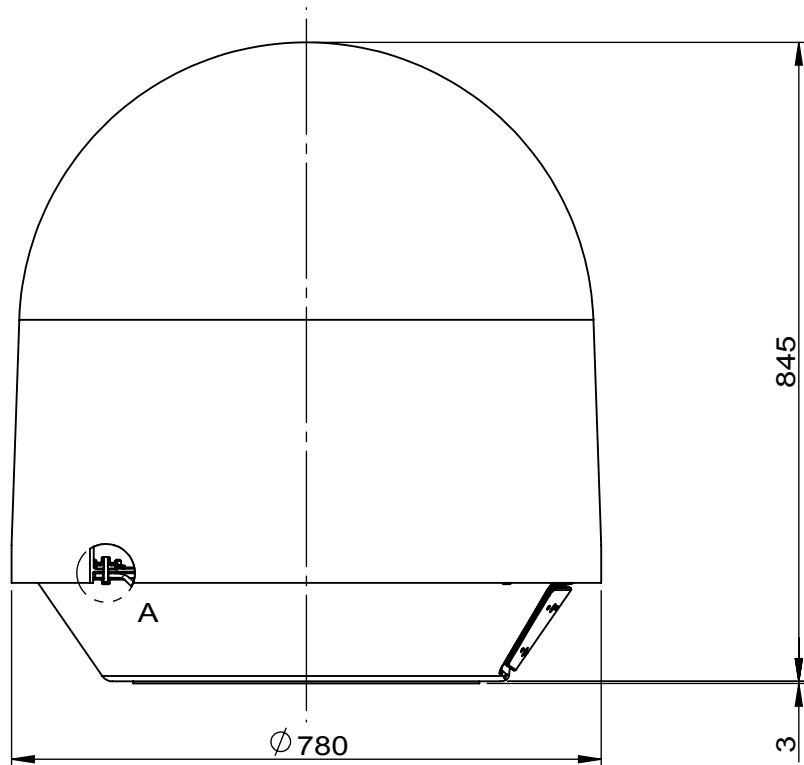


P/N
RM10-190418-01

| REVISIONS | | |
|-----------|-------------|------|
| MARK | DESCRIPTION | DATE |



| 5 | Hex-S Bolt_M6x30_BUMAX88_Pa | 4 | KS D 3706-ST316L(BUMAX88) | M6x30L | S00105 |
|----|-----------------------------|------|---------------------------|----------|--------|
| 4 | Spring Washer_M6_BUMAX88 | 4 | KS D 3706-ST316L(BUMAX88) | M6 | S00068 |
| 3 | Radome Flat Washer(M6, Ø18) | 4 | KS D 3706-ST316L | Ø18xPL1t | FK0088 |
| 2 | Radome Top_v60 | 1 | FRP | | GD0001 |
| 1 | Assy_Radome_Bottom_new_v60 | 1 | | | AD0065 |
| NO | Description | Q'TY | Material | SPEC | PartNo |

| | | | | |
|--|--------------------------------|-----------------|--------------------------|--------------|
| Intellian Technologies Communicate Smarter | | | | |
| APPROVAL | Title Intellian v60, Radome | | | Version 0 |
| CHECK | P/N RM10-190418-01 | SIZE A3 | SCALE 1:10 | UNIT mm |
| DRAWING | Date 2019.04 | Sheet 1 of 1 | DWG NO RM10-190418-01 | |